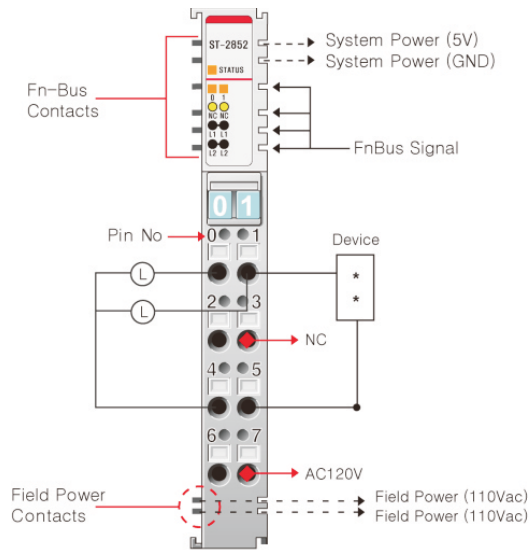


## ST-2852

12~125Vac/0.5A, 2 Points, Triac



Item	ST-2852
<b>Output Specification</b>	
Outputs Per Module	2 Points
Indicators	2 Green Output States, 1 Green/Red Fn-Bus State
Switch Type	Zero Crossing
Rated Load Voltage	15~132Vac
Output Current Rating	0.05~0.5A
Frequency Range	47~63Hz
Surge Current	40A(16mS) / 4A(30S)
Output Signal Delay	OFF to ON : Max. 0.3ms, ON to OFF : 1/2 Cycle + 0.3ms
On Status Voltage Drop	1.3Vrms(Max. Load)
Off-State Leakage Current	Max. 1.5mA
Common Type	2 Points / 2 COM
<b>General Specification</b>	
Power Dissipation	Max. 35mA @5.0Vdc
Isolation	between user power and Systems
Field Power	Supply Voltage : 120Vac nominal Voltage Range : 15 ~ 132 Vac
Wiring	I/O Cable Max. 2.0mm(AWG 14)
Weight	70g
Module Size	12mm x 99mm x 70mm
Environment Condition	Refer to " Environment Specification"(page : 1-191)
Pin No.	Description
0	Output Channel 0
1	Output Channel 1
2	NC
3	NC
4	L1 Output Field Power(110Vac)
5	L1 Output Field Power(110Vac)
6	L2 Output Field Power(110Vac)
7	L2 Output Field Power(110Vac)
-	-
-	-
-	-
-	-
-	-
-	-
-	-
-	-
-	-
-	-
-	-
-	-
-	-
-	-